

LED Display Systems

Product Catalog

Wide Viewing Angles and Perfect Color Mixing
Rear IP65 Rated for Outdoor Use
Intelligent On-site Uniformity Calibration
Smart Module with Aging Compensation
Front and Rear Service
High Quality Die-Cast Cabinet Design

www.deltadisplays.com



Product Advantages

Minimal Power Consumption

Power consumption has been a major concern for many LED applications, especially those requiring 24/7 operation. Delta LED displays are designed with optimized power supplies to limit power consumption to a minimum. This not only helps you save money but also confirms Delta's long-term commitment to environmental protection and core focus on green energy-efficient solutions.

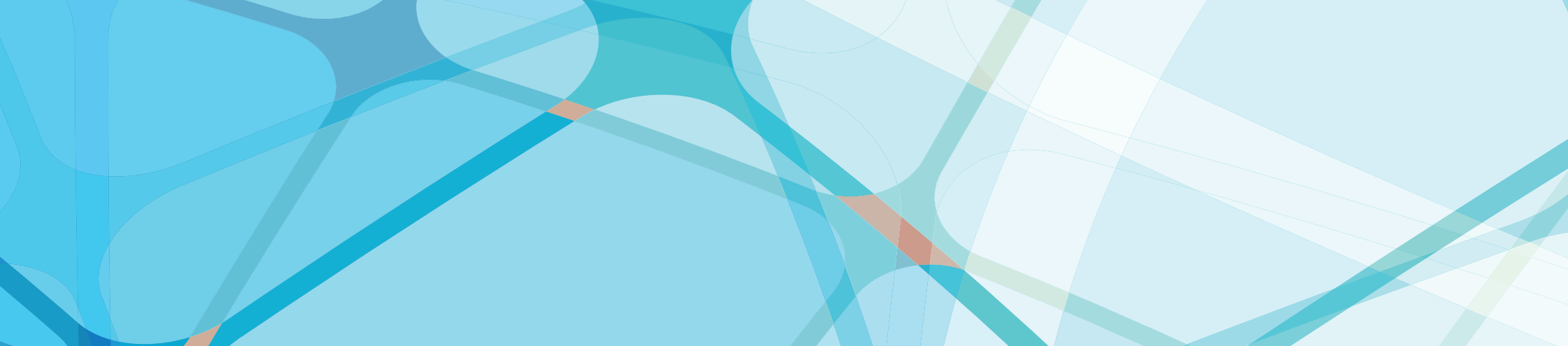
Uniform Colors and Luminance all the Time

Delta's uniformity calibration technology guarantees uniform colors and brightness across the display. With this advanced technology, you can mix different batches of tiles and expect the best picture with accuracy and consistency over the lifetime of the display.

Easy On-site Calibration with Your DSLR Camera

LED displays lose uniformity as the LEDs dim over time. With the help of your own DSLR (Digital Single-Lens Reflex) camera, Delta's built-in on-site calibration technology can automatically adjust the color and brightness of the display to achieve perfect uniformity.





Rugged and Lightweight Design

Delta's rugged LED tiles guarantee reliability under multiple operating conditions. Their modular and lightweight design allows ease of installation and servicing.

Intelligent Control Software

Delta offers a complete display solution including easy-to-use remote management software for control, monitoring and diagnostics. The email notification feature keeps you informed of warnings and failures in real time, 24/7.

Advanced Video Processing

With Delta's extensive experience in image and video processing, the LED displays provide you with the ultimate image quality assurance, color uniformity and cost of ownership.



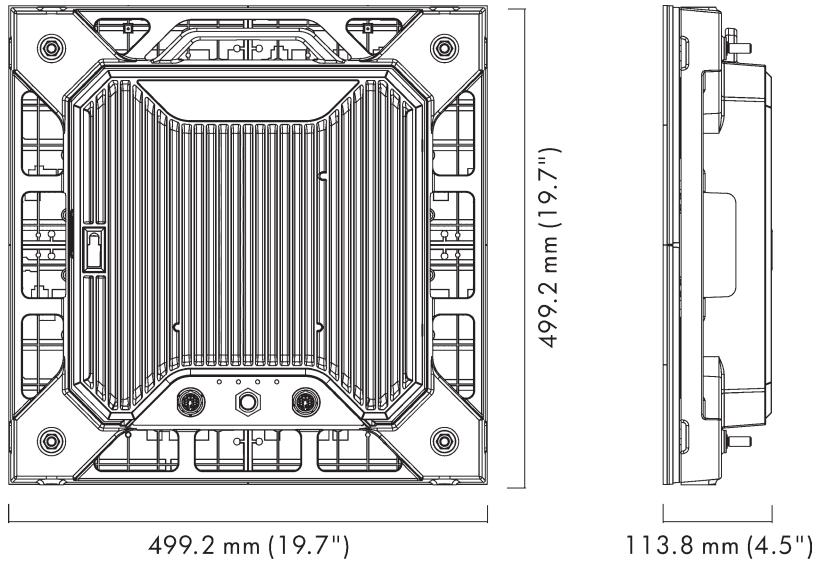
S Series LED Tiles

Specifically designed for outdoor use, Delta's S series LED display lineup offers high-end performance at competitive prices. Using the finest quality components available today, the lightweight yet rugged tiles ensure excellent image quality and flicker-free video. The unique all-weather design guarantees reliability under the toughest operating conditions while offering front and rear access for ease of service.

S-10



S-15



Europcar
Výhodný pronájem



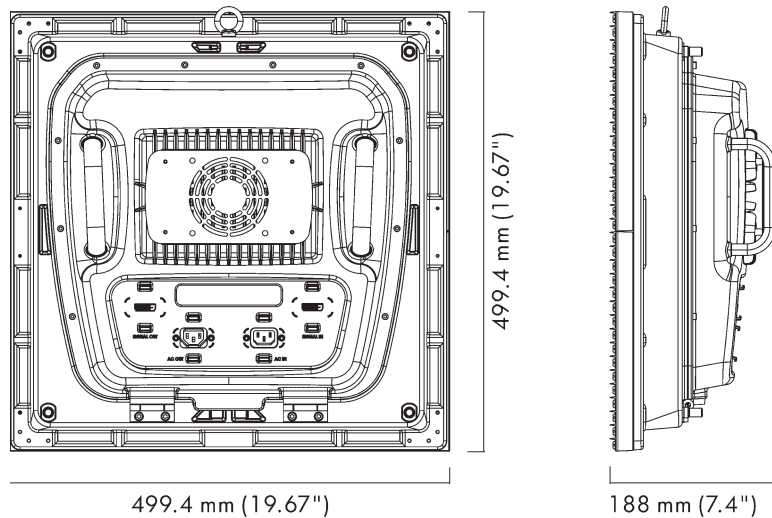
T Series LED Tiles

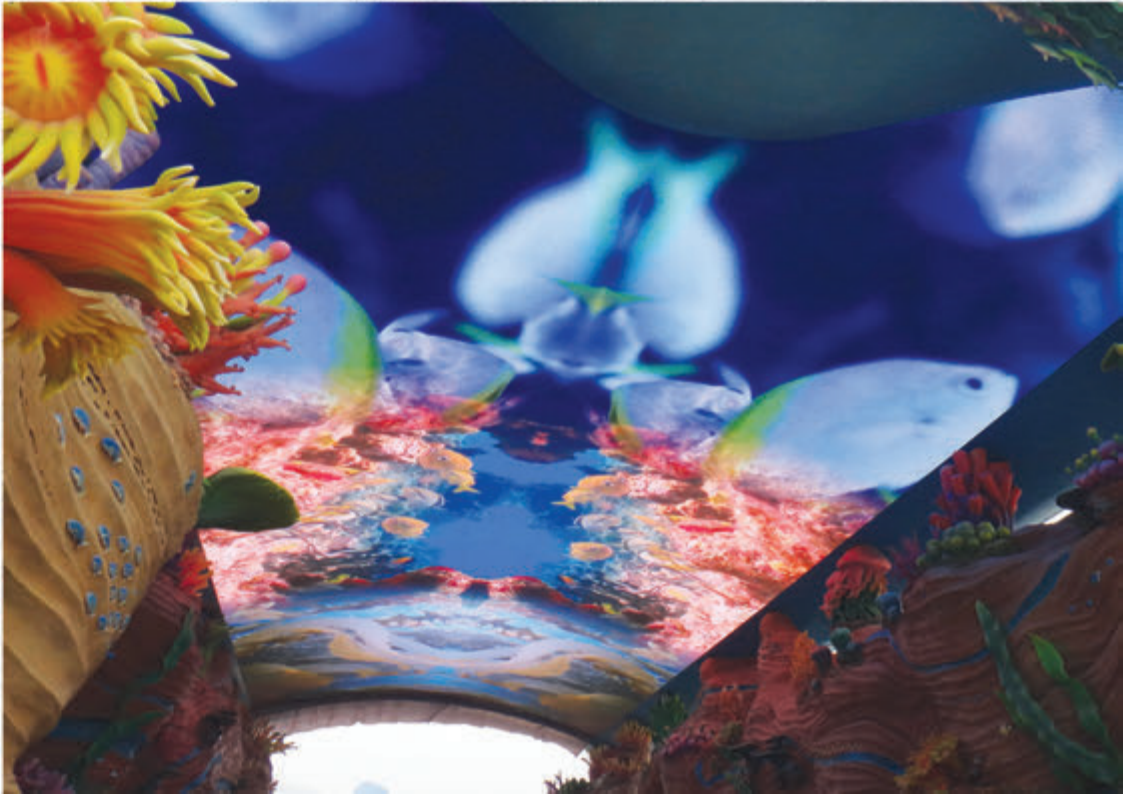
Delta's T series offers high-performance solutions for outdoor use at affordable prices. Designed for 24/7 outdoor display applications such as advertising, digital signage and broadcast, the T series features dedicated shaders and tilted LEDs to provide the best viewing experience with optimal color, brightness and contrast.

T-15



T-20





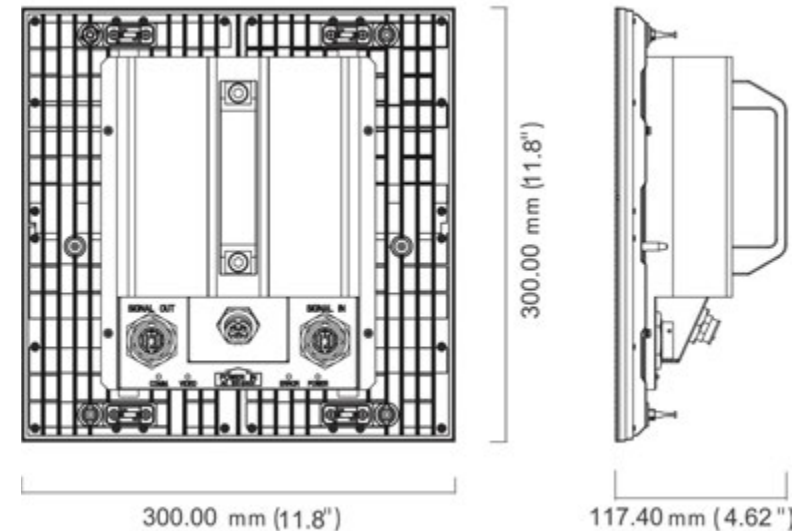
I Series LED Tiles

IB-4



Rental type available

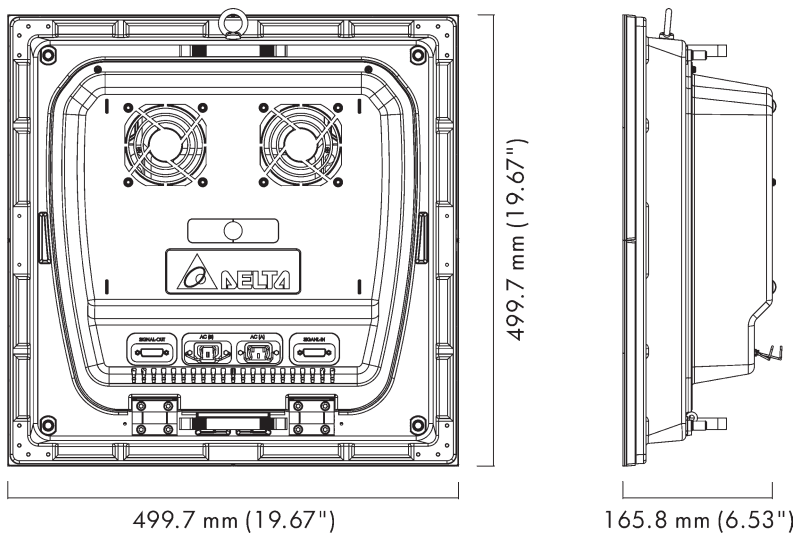
Delta's IB-4 4mm black SMD technology provides a seamless, high-resolution, high-contrast display solution for interior areas with short viewing distances. Its compact and lightweight design guarantees easy, quick installation. With a contrast ratio of over 3,000:1, a light output of over 2,000 nits and native 14-bit color processing, the IB-4 delivers excellent image and video quality in any indoor setting.





I Series LED Tiles Contd..

Delta's I-6, IB-6, I-8 and I-10 provides the best display solutions with a high price-performance ratio for many indoor applications. Using the most advanced PWM (Pulse Width Modulation) image processing technology, the I series ensures an excellent, flicker-free viewing experience.



I-6



IB-6



I-8



I-10



LED Processors / Controllers

VP-100



Delta's VP-100 is a compact image processor designed for simple installations. It offers high-performance scaling, image enhancement and de-interlacing. By integrating the SMS software, users are able to remotely adjust the color and manage the sources in real time.



VP-200



Delta's VP-200 is a dual-window image processor designed to meet user's diverse requirements. With its advanced image processing technology and support for touch panel control, users are able to control and manage the sources the way they want.

VT-100



Delta's VT-100 is a versatile controller with monitoring and diagnostics capabilities. By integrating the SMS software, it guarantees 24/7 display monitoring of the LED systems, including power, fan and video. With an additional light sensor (LS-100), the VT-100 can intelligently adjust the brightness of your display based on the ambient light level.



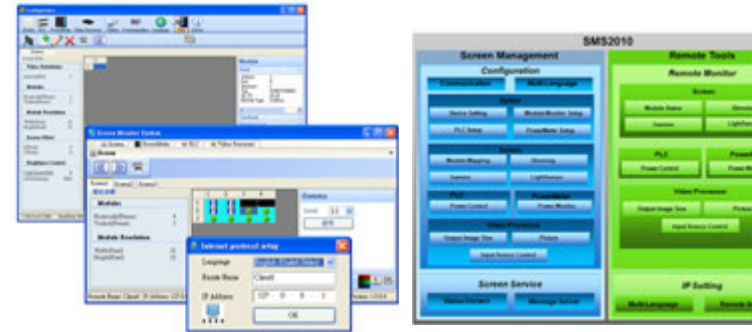




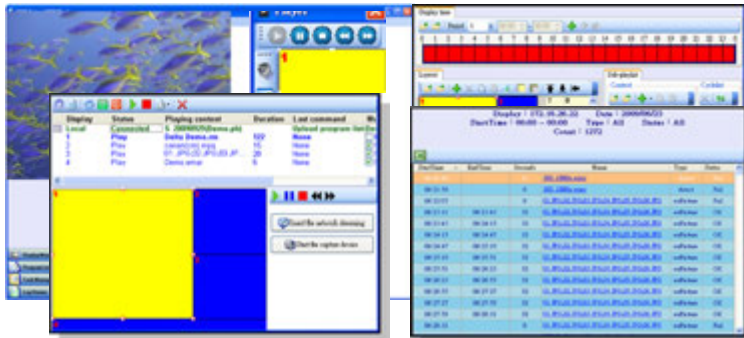
Application Software

SMS

The SMS (Screen Management Software) is a remote management tool that allows you to easily monitor, control and manage your LED systems. It corrects luminance and chrominance non-uniformity issues caused by LED aging and allows for remote control.



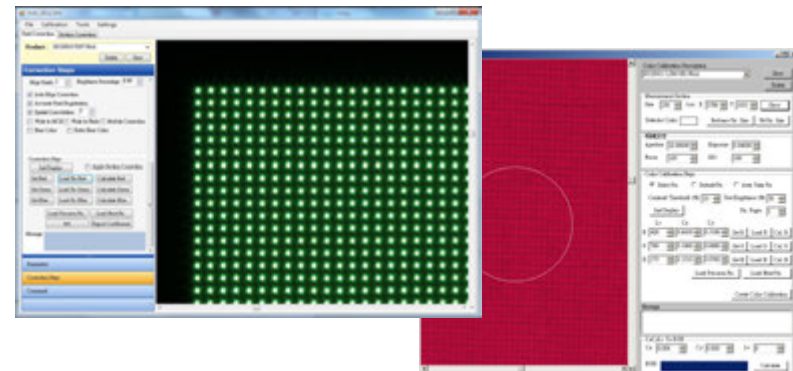
DMP



The DMP (Delta Media Player) fully integrates content scheduling, management and playback into the LED systems. With support for multiple media formats, the DMP incorporates an easy-to-use user interface, making your media management tasks easy and efficient.

ColorCal

Delta ColorCal offers you the ability to perform on-site uniformity calibration. With photos taken using your DSLR camera and a few simple clicks, ColorCal automatically calculates and applies luminance/chrominance coefficients within a few minutes to give you an outstanding uniformity across the entire display.



Product Specifications	Pixel Pitch(mm)	Brightness (Calibrated at 6500K)	LED Type	Pixel Density	Viewing Angle (Degree)	Contrast Ratio	Max. Power Consumption	Tile Size (W x H x D)	
	IB-4	4.6875	2,000nits	3-in-1 black SMD	45,511/sqm 4,228/sqft 4,096/tile	H:140(+/- 70) V:140(+/- 70)	2000:1	80W/tile	300x300x118.5 mm (11.8x11.8x4.6")
	IB-6	6.25	2,000nits	3-in-1 black SMD	25,600/sqm 2,378/sqft 6,400/tile	H:140(+/- 70) V:140(+/- 70)	2000:1	235W/tile	500x500x170 mm (19.7 x19.7 x 6.7")
	I-6	6.25	3,000nits	3-in-1 SMD	25,600/sqm 2,378/sqft 6,400/tile	H:140(+/- 70) V:140(+/- 70)	3000:1	150W/tile	500x500x170 mm (19.7 x19.7 x 6.7")
	I-8	8.33	3,000nits	3-in-1 SMD	14,400/sqm 1,364/sqft 3,600/tile	H:140(+/- 70) V:140(+/- 70)	2000:1	150W/tile	500x500x172 mm (19.7 x19.7 x 6.7")
	I-10	10.42	3,000nits	3-in-1 SMD	9,216/sqm 856/sqft 2,304/tile	H:140(+/- 70) V:140(+/- 70)	2500:1	150W/tile	500x500x172 mm (19.7 x19.7 x 6.7")
	T-15	15.625	7,500nits	1R1G1B lamp	4,096/sqm 380/sqft 1,024/tile	H:120(+/- 60) V:60(+22/- 38)	4000:1	135W/tile	500x500x188 mm (19.7x19.7x7.4")
	T-20	20.83	7,500nits	1R1G1B lamp	2,304/sqm 214/sqft 576/tile	H:120(+/- 60) V:60(+22/- 38)	4000:1	130W/tile	500x500x188 mm (19.7x19.7x7.4")
	S-10	10.42	6,000nits	3-in-1 SMD	9,216/sqm 856/sqft 2,304/tile	H:140(+/- 70) V:90(+30/- 60)	4000:1	145W/tile	500x500x114 mm (19.7x19.7x4.5")
	S-15	15.625	6,000nits	3-in-1 SMD	4,096/sqm 380/sqft 1,024/tile	H:140(+/- 70) V:90(+30/- 60)	4000:1	145W/tile	500x500x116 mm (19.7x19.7x4.5")

Weight	IP Rating	Color Processing	Refresh Rate	Temperature	Humidity	Servicing	Certification
2.75 kg/tile (6.4 lbs/tile)	Indoor Use Only	Native 14-bit	1,920Hz	0°C - 40°C (32°F - 104°F)	10% - 90%	Front and Rear	UL,CB,CE, FCC,CCC
12.7 kg/tile (27.9 lbs/tile)	Indoor Use Only	Native 14-bit	1,920Hz	0°C - 40°C (32°F - 104°F)	10% - 90%	Front and Rear	TUV,UL,CB,CE, FCC,CCC
12.7 kg/tile (27.9 lbs/tile)	Indoor Use Only	Native 14-bit	1,920Hz	0°C - 40°C (32°F - 104°F)	10% - 90%	Front and Rear	UL,CB,CE, FCC,CCC
12.7 kg/tile (27.9 lbs/tile)	Indoor Use Only	Native 14-bit	1,920Hz	0°C - 40°C (32°F - 104°F)	10% - 90%	Front and Rear	UL,CB,CE, FCC,CCC
12.7 kg/tile (27.9 lbs/tile)	Indoor Use Only	Native 14-bit	1,920Hz	0°C - 40°C (32°F - 104°F)	10% - 90%	Front and Rear	UL,CB,CE, FCC,CCC
13.7 kg/tile (29.9 lbs/tile)	Front IP65 / Rear IP65	Native 16-bit	19,200Hz	-20°C - 50°C (-4°F - 122°F)	10% - 99%	Front and Rear	TUV,CB,CE, FCC,CCC
13.7 kg/tile (29.9 lbs/tile)	Front IP65 / Rear IP65	Native 16-bit	19,200Hz	-20°C - 50°C (-4°F - 122°F)	10% - 99%	Front and Rear	TUV,CB,CE, FCC,CCC
12.8 kg/tile (28.2 lbs/tile)	Front IP65 / Rear IP65	Native 16-bit	19,200Hz	-20°C - 50°C (-4°F - 122°F)	10% - 99%	Front and Rear	UL,CB,CE, FCC,CCC
13 kg/tile (28.2 lbs/tile)	Front IP65 / Rear IP65	Native 16-bit	19,200Hz	-20°C - 50°C (-4°F - 122°F)	10% - 99%	Front and Rear	UL,CB,CE, FCC,CCC



Icons



Physical pixel pitch of the tile



Designed with a high refresh rate to eliminate screen flicker



LED compatible



UV resistant



True black surface LEDs



Scalable system



Superior contrast



Front and rear outdoor suitability



Compatible with HD signals



Supports aging compensation



Designed for 24/7 operation in the most severe conditions



Compatible with 3G-SDI signals



Wide viewing angles



Tested with Delta's proprietary salt spray test program



On-site color calibration



Live preview of your screen output



Designed for rental applications



Low total cost of ownership



Designed with Delta's proprietary green energy power solution



Aluminum die-cast cabinet



Fanless or very low noise

GLOBAL OFFICES



Website www.deltadisplays.com
Contact Us vw.sales@deltadisplays.com

Europe

NETHERLANDS

Delta Electronics Europe
Zandsteen 15,2132 MZ
Hoofddorp,
The Netherlands



SLOVAKIA

Delta Electronics (Slovakia) s.r.o.
Priemyselna ulica 4600/1
018 41 Dubnica nad Vahom
Slovakia



FRANCE

Delta Electronics (France) S.A.
ZI du bois Chaland
2 15 rue des Pyrenees,
Lisses 91056 Evry Cedex



North America

USA/PORTLAND

Portland Office
1600 NW Compton Drive,
Suite 100, Hillsboro, OR 97006



USA/FREMONT

Delta Products Corporation
Fremont Office
4405 Cushing Parkway,
Fremont, CA 94538, U.S.A



BRAZIL

Delta Greentech (Brasil) S/A
Rua Almirante Alexandrino,
3100 - Afonso Pena
83045-210 - São Jose dos
Pinhais- PR - Brasil



Asia

TAIWAN

Delta Electronics, Inc.
186 Ruey Kuang Road,
Neihu, Taipei 11491, Taiwan



THAILAND

Delta Electronics (Thailand) PCL
909 Soi 9 Moo 4, E.P.Z.Bangpoo
Industrial Estate, Tambon Prakasa,
Amphur Muang Samutprakarn,
Samutprakarn 10280, Thailand



KOREA

Delta Electronics (Korea) Inc
1511, Byucksan Digital Valley
6-cha, Gasan-dong,
Geumcheon-gu,
Seoul, Korea 153-704



INDIA

Delta India Electronics Pvt. Ltd
Plot No 43 Sector 35, HSIIDC
Gurgaon 122001, Haryana, India



SINGAPORE

Delta Electronics Int'l (S) Pte. Ltd.
4 Kaki Bukit Ave 1, #05-05
Singapore 417939



CHINA

Delta Electronics (Shanghai) Co., Ltd.
No.182 Minyu Road,
Pudong Shanghai, P.R.C.
Post Code: 201209



QR Code



The Delta logo is a trademark of Delta Group. All trademarks used in the brochures are the property of their respective trademark owners. Specifications are subject to change without prior notice. Projection images are simulated. Copyright ©2009 Delta Electronics Inc. All rights reserved. This document may not be copied in any form without written permission from Delta.